

High brightness 7" wide TFT

GPS/WAAS CHART PLOTTER

available with high performance Fish Finder

Models **GP-7000/7000F**

- Sunlight viewable 7" TFT bright color LCD (wide 16:9 aspect ratio)
- Compatible with C-Map NT MAX charts
- Dual SD card slots for memory and chart cards (Conventional SD cards can be used for waypoint/route backup)
- Enhanced chart redraw speed
- Compact GPS/WAAS receiver antenna
- User-friendly interface and operation with rotary encoder and soft keys
- Displays up to 50 AIS targets
- 50/200 kHz, 600 W or 1 kW dual-frequency fish finder (GP-7000F)



GP-7000: GPS/WAAS Chart Plotter
GP-7000F: GPS/WAAS Chart Plotter with Fish Finder

SPECIFICATIONS OF GP-7000/7000F

REGISTERED NAME

GP-7000 COLOR GPS PLOTTER
GP-7000F COLOR GPS/PLOTTER/SOUNDER

GPS RECEIVER CHARACTERISTICS

Receiver Type Twelve discrete channels, C/A code, all-in-view, Integral WAAS receiver processor
Receive Frequency L1 (1575.42 MHz)
Accuracy GPS: 10 m (95%)
 WAAS: 3 m (95%)
Time to First Fix 12 s (warm start)
Tracking velocity 999 kt
Geodetic System WGS-84

PLOTTER CHARACTERISTICS

Display 7" color LCD, 480 x 234 pixels (wide 16:9 aspect ratio)
Latitude Limits Between 80°N and 80°S
Plot Interval 1, 5, 10, 30 s, 1, 5, 10, 30 m, 1 h
 0.01, 0.05, 0.5, 1.0, 2.0, 5.0, 10.0 nm
Display Modes Course Plot, Nav Data, Steering Display, Highway, Combination with Fish Finder*
 * GP-7000F only
Presentation Modes TM/RM North-up, Course-up, Auto Course-up
Memory Capacity (Internal memory) Up to 12,000 points for ship's track points, 2,000 waypoints and 200 planned routes (Max. 35 waypoints/route)
Voyage Planning Waypoint navigation or route navigation
Alarms Arrival/anchor watch, XTE, proximity alert, ship speed, grounding, depth*, water temperature*, fish*
 *GP-7000F — Temperature sensor required for water temp alarm.

AIS Functions (Data input from AIS receiver/transponder is required)

Symbols: Sleeping, Activated, Selected, Lost targets
Number of targets: 50 targets
Interface (NMEA0183 ver.1.5/2.0/3.0)
Outputs: AAM, APB, BOD, BWR, DBT*, DPT*, GGA, GLL, GTD, HDG, MTW*, MWV, RTE, RMA, RMB, RMC, TLL, VHW, VTG, WPL, XTE, ZDA, VHW, HDT, HDG, TLL, DSC, DPT, MTW, MWV, VDM
 *GP-7000F

Electronic Chart Language C-Map NT+/NT MAX chart
 English, Italian, French, German, Spanish, Norwegian, Swedish, Portuguese, Danish, Finnish, Russian

FISH FINDER (GP-7000F)

Display Modes Normal (single- or dual-frequency), Bottom-lock, Bottom Zoom, Marker Zoom, A-scope, Combination with Plotter

Frequency 50 and 200 kHz
Output Power 600 W/1 kW (specify when ordering)
Basic Ranges 8 basic ranges customized to max 1200 m (4000 ft, 650 fa)
Range Shift Up to 1200 m (4000 ft, 650 fa)

ENVIRONMENT (IEC 60945 test method)

Temperature
Display Unit: -15°C to +55°C (5°F to +131°F)
Antenna Unit: -25°C to +70°C (-13°F to +158°F)

Waterproofing
Display Unit: IPX5 (IEC 60529), CFR46 (USCG)
Antenna Unit: IPX6 (IEC 60529), CFR46 (USCG)

POWER SUPPLY 12 - 24 VDC, 1.5 - 0.8 A

EQUIPMENT LIST

Standard

- | | |
|--|--------|
| 1. Display Unit GP-7000/7000F | 1 unit |
| 2. Antenna Unit GPA-017 with 10 m cable | 1 unit |
| 3. Installation Materials and Standard Spare Parts | 1 set |

Option

- | | |
|--|-------------------------------|
| 1. NMEA Cable with 6-6p connectors | |
| 5 m: | MJ-A6SPF0012-050 |
| 10 m: | MJ-A6SPF0012-100 |
| with 6p connector, 5 m | MJ-A6SPF0003-050 |
| with 7p connector, 5 m | MJ-A7SPF0007-050 |
| 2. External Cable for Antenna Unit, 30/50 m | |
| 3. Antenna Mounting Base | |
| Pipe mount: | CP20-01111 |
| Deck mount: | 13-QA330 |
| Handrail mount | 13-RC5160 |
| Offset bracket: | 13-QA310 |
| 4. Speed/Temperature Sensor | ST-02MSB, ST-02PSB (GP-7000F) |
| 5. Connector Cable for Speed/Temperature Sensor | |
| 6. Cable between Distribution Box and Display Unit | 02S4089-0 |
| 7. Distribution Box | MB-1000 |
| 8. Innerhull Kit | 22S0191-1 |

Transducers (Specify when ordering GP-7000F)

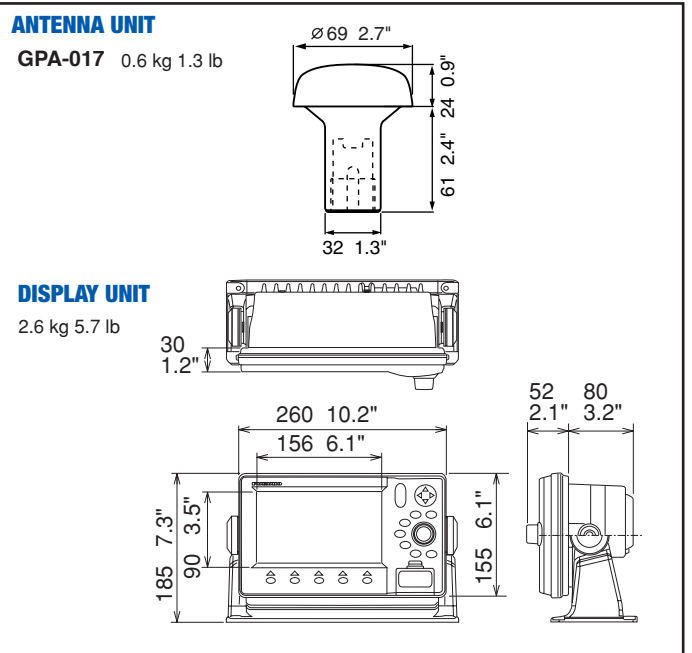
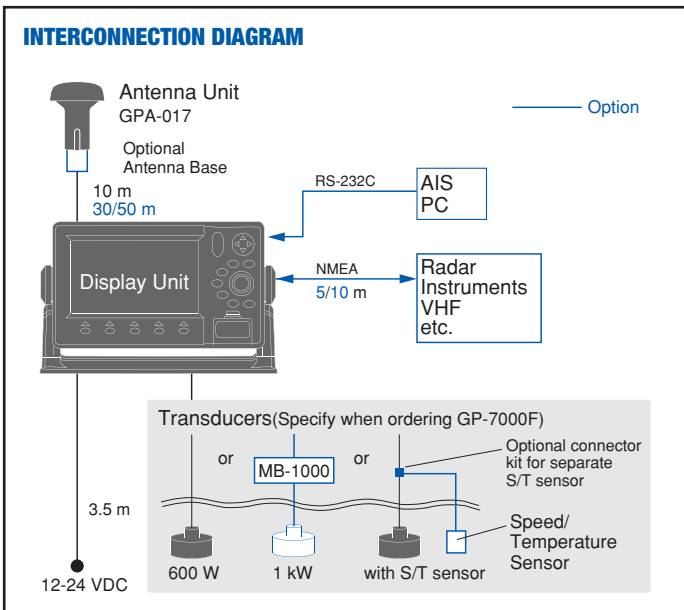
600 W

Plastic, thru-hull: 520-5PSD
 Bronze, thru-hull: 520-5MSD
 Plastic, transom: 525-5PWD

1 kW (Optional matching box required)
 50B-6, 50B-6G, 200B-5, 200B-5S, 50/200-1T

Triducers® (Specify when ordering GP-7000F)

Plastic, Transom: 525ST-PWD
 Bronze, Thru-hull: 525ST-MSD



SPECIFICATIONS SUBJECT TO CHANGE WITHOUT NOTICE

FURUNO ELECTRIC CO., LTD.
 Nishinomiya, Hyogo, Japan
 Phone: +81 (0)798 65-2111
 Fax: +81 (0)798 65-4200, 66-4622

FURUNO U.S.A., INC.
 Camas, Washington, U.S.A.
 Phone: +1 360-834-9300
 Fax: +1 360-834-9400

FURUNO (UK) LIMITED
 Havant, Hampshire, U.K.
 Phone: +44 23 9244 1000
 Fax: +44 23 9248 4316

FURUNO FRANCE S.A.
 Bordeaux-Mérignac, France
 Phone: +33 5 56 13 48 00
 Fax: +33 5 56 13 48 01

FURUNO ESPAÑA S.A.
 Madrid, Spain
 Phone: +34 91-725-90-88
 Fax: +34 91-725-98-97

FURUNO DANMARK AS
 Hvidovre, Denmark
 Phone: +45 36 77 45 00
 Fax: +45 36 77 45 01

FURUNO NORGE A/S
 Ålesund, Norway
 Phone: +47 70 102950
 Fax: +47 70 102951

FURUNO SVERIGE AB
 Västra Frilunda, Sweden
 Phone: +46 31-7098940
 Fax: +46 31-497093

FURUNO FINLAND OY
 Espoo, Finland
 Phone: +358 9 4355 670
 Fax: +358 9 4355 6710

FURUNO POLSKA Sp. Z o.o.
 Gdynia, Poland
 Phone: +48 58 669 02 20
 Fax: +48 58 669 02 21

FURUNO DEUTSCHLAND GmbH
 Rellingen, Germany
 Phone: +49 4101 838 0
 Fax: +49 4101 838 111

LLC "FURUNO EURUS"
 St. Petersburg, Russian Federation
 Phone: +7 812 767 15 92
 Fax: +7 812 766 55 52



0711XN Printed in Japan
 Catalogue No. N-860F

